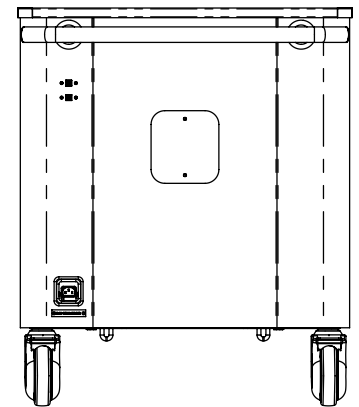
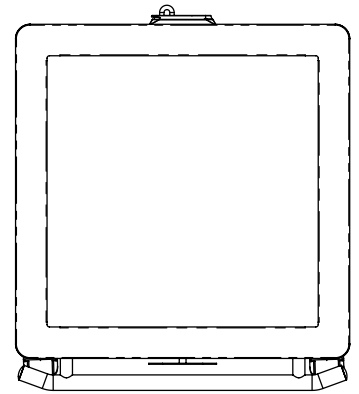
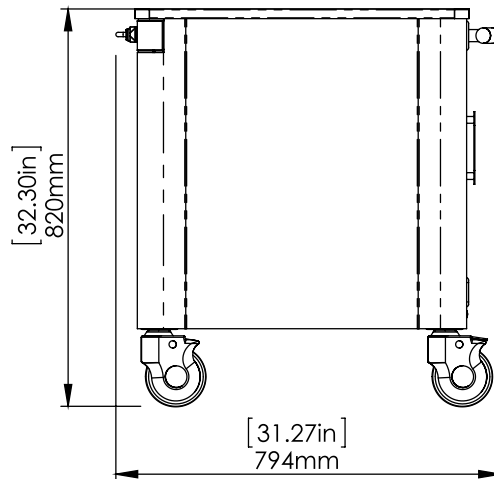
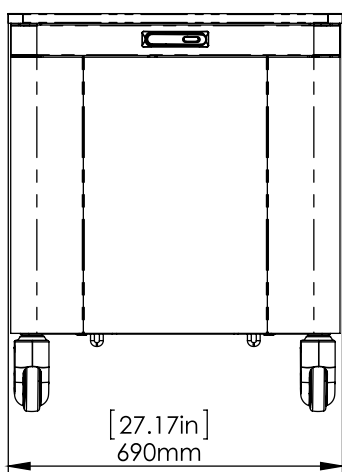


iQ 30 Cart™ Specifications



USB Charging

Charge up to 30 devices at once. Equipped with two intelligent iQ 16 Sync Charge Boxes, which automatically stage the availability of power to each device, reducing the possibility of a momentary electrical overload when multiple devices are powered on at the same time. Each USB port delivers 2.1 amps of power.

Syncing

Connect and sync up to 30 devices at once. Two external USB ports on the handle end of the iQ 30 Cart connects all 30 devices to your MacBook/Computer. Syncing can be managed by iTunes, Apple Configurator or other similar software depending on the device that requires syncing. For more details about iTunes and Apple Configurator, contact your Apple representative.

Certifications

CE (Europe)
SAA (Australia)
ETL-Listed (USA and Canada)
KCC (Korea)
SIRIM (Malaysia)
SPRING (Singapore)

Power

Input: 110~240 VAC
Output: Max 30 x USB Ports - 2.1 amps/5 VDC

Colour

Ripple finish powder coat:
White core with a black and charcoal sliding top

Construction

Welded steel for strength and durability

External dimensions

inches: 31.27(L) x 27.17(W) x 32.30(H)
mm: 794(L) x 690(W) x 820(H)
weight: 182 lbs | 82.5 kg

Baskets by PC Locs (green, blue and red)

Internal slot dimensions
inches: 11.61 x 8.62 x 0.96
mm: 294.9 x 219 x 24.5

Warranty¹

Lifetime on chassis
One year on electrical

DOES YOUR DEVICE FIT IN OUR 5 SLOT BASKETS? CHECK IT HERE.

To ensure accurate measurements, please print to scale and on an A3 page (portrait).

